

Description

ZOO Fans' Variable Speed Controller is a TRIAC based controller designed specifically to control the speed of ZOO Fans.

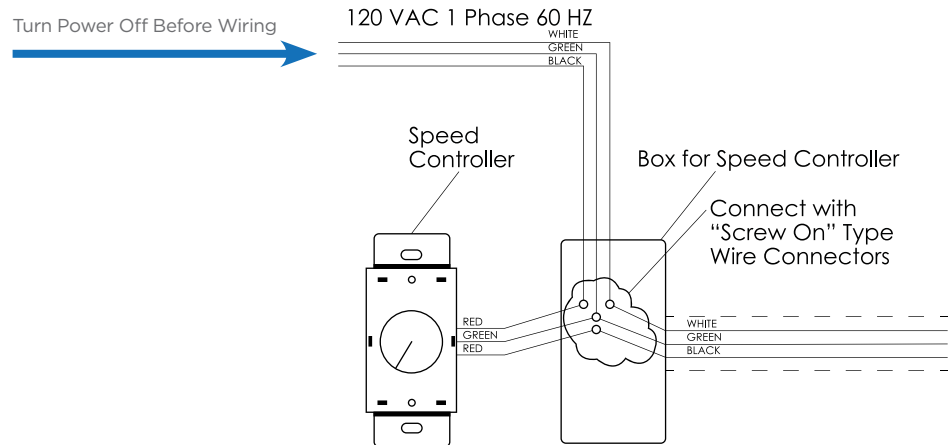
Typical Specifications

Controller shall be a TRIAC based microprocessor controller with 115V input. Controller shall be designed specifically for PSC AC motors. Controller must mount in a standard 4 X 2 electrical job box. The controller must contain an on/off line switch, a high gain RFI noise suppression filter, an adjustable trimpot to set the minimum speed, and a flame retardant ABS enclosure.

Installation Hardware Included

- Installation Screws and Wire Nuts
- Cover Plate and Screws
- Control Knob

Manual



Electrical Table

Model	Input	Amps
VS-5A	115V	5
VS-10A	115V	10

User Interface

Mounting	Standard 2 X 4 Job Box
Control Capabilities	On/Off, Manual Speed Control

Certifications

VS-5A: KB Electronics KBWC-15K, UL Listed and CSA Certified

VS-10A: KB Electronics KBWC-110K, UL Listed and CSA Certified

Speed Controllers

Part #	Description	Quantity
VS-5A-115V	Variable Speed 5 Amp 115V Controller	
VS-10A-115V	Variable Speed 10 Amp 115V Controller	

Project

Job Name:		Date:	
Job Address:			
City:		State:	
Architect:			
Engineer:			
Contractor:			
Comments:			