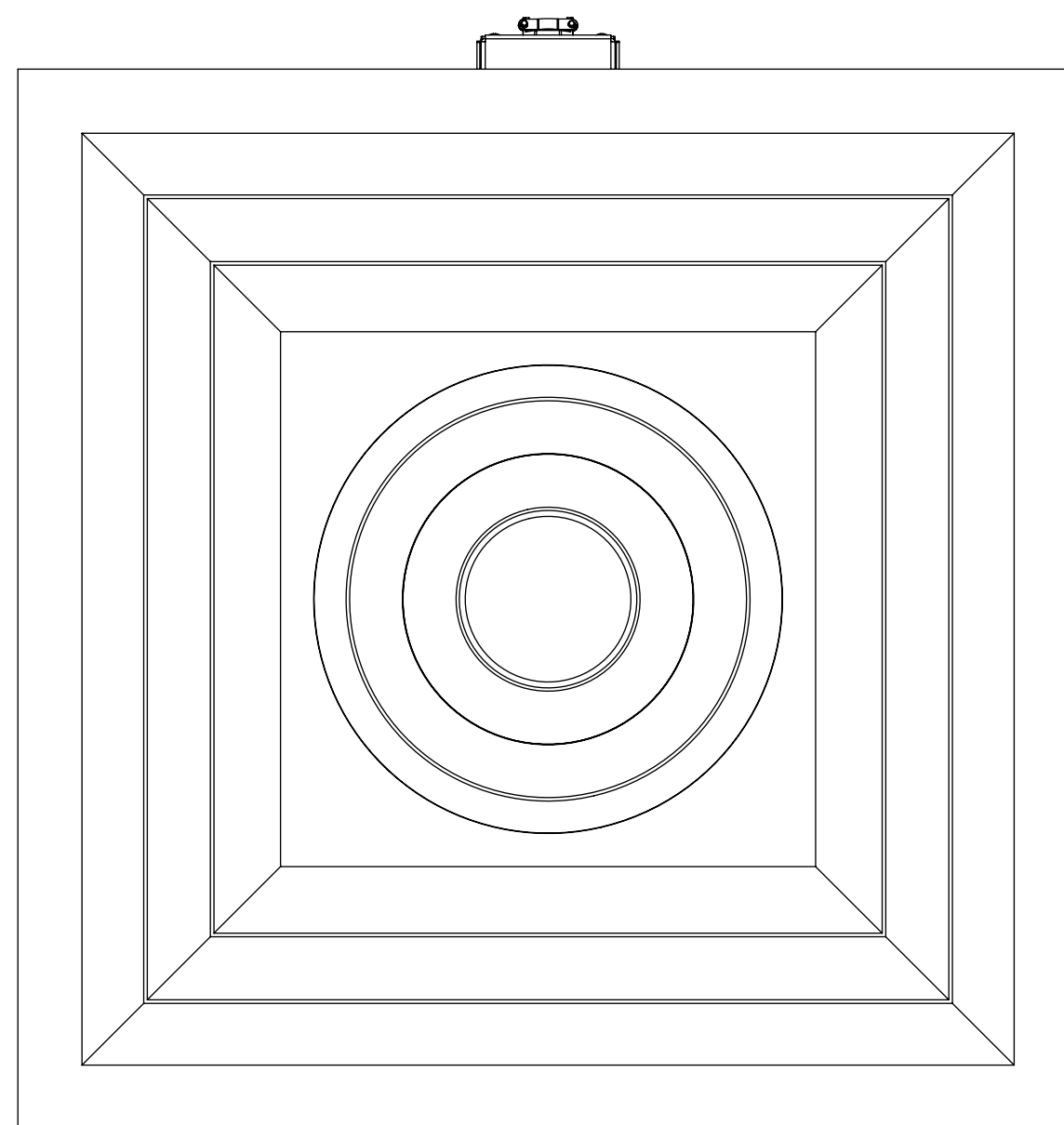
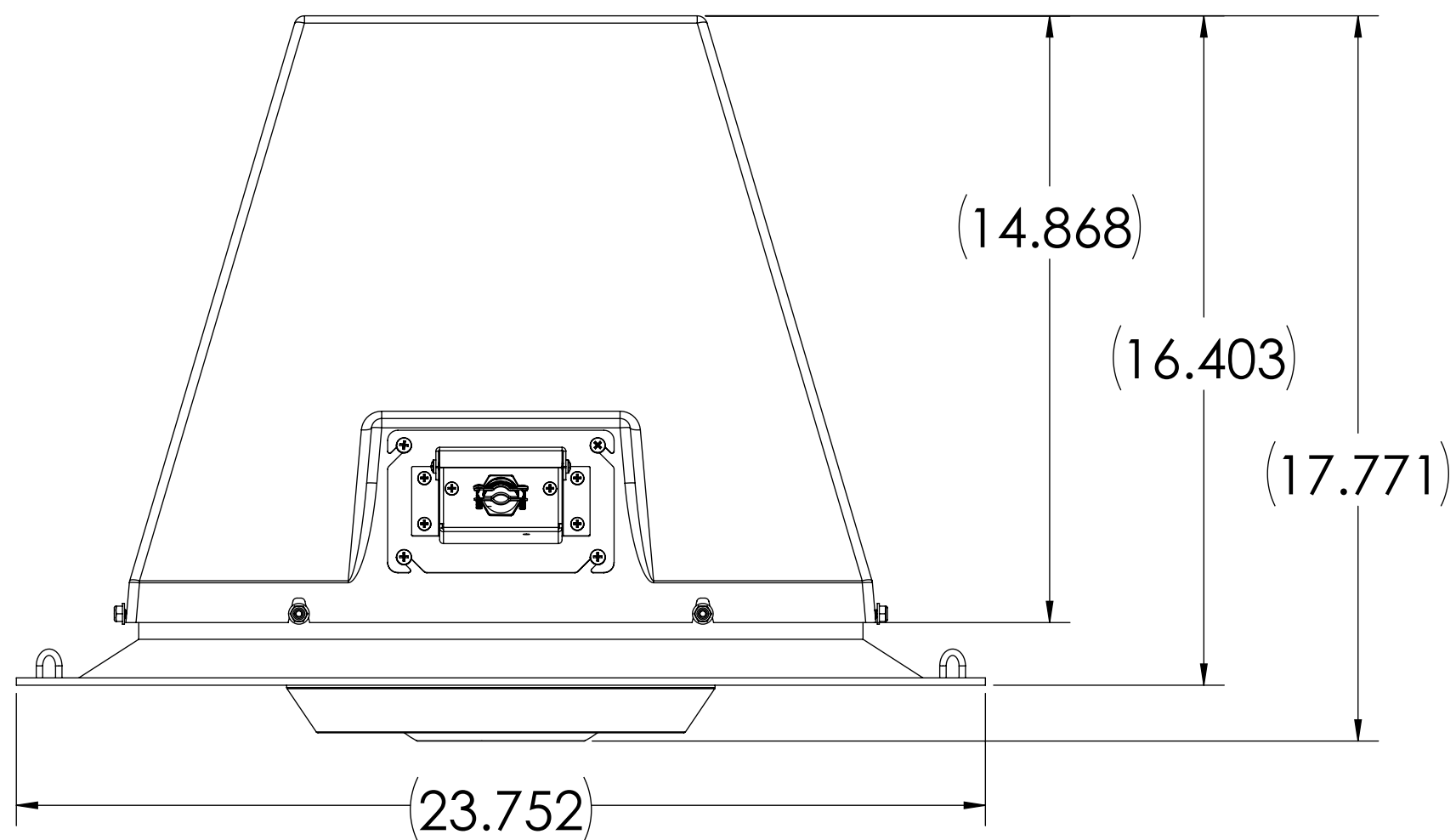
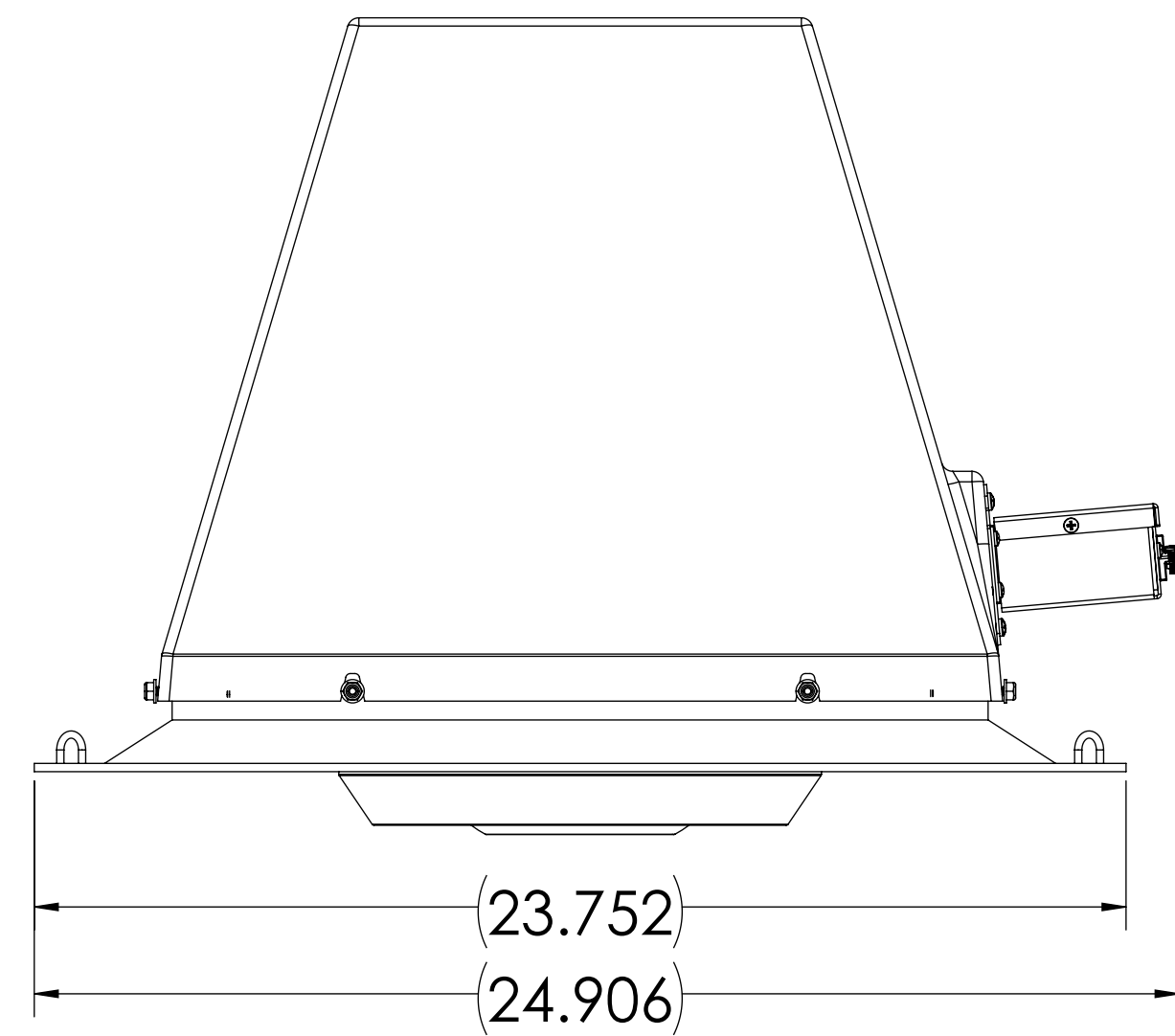
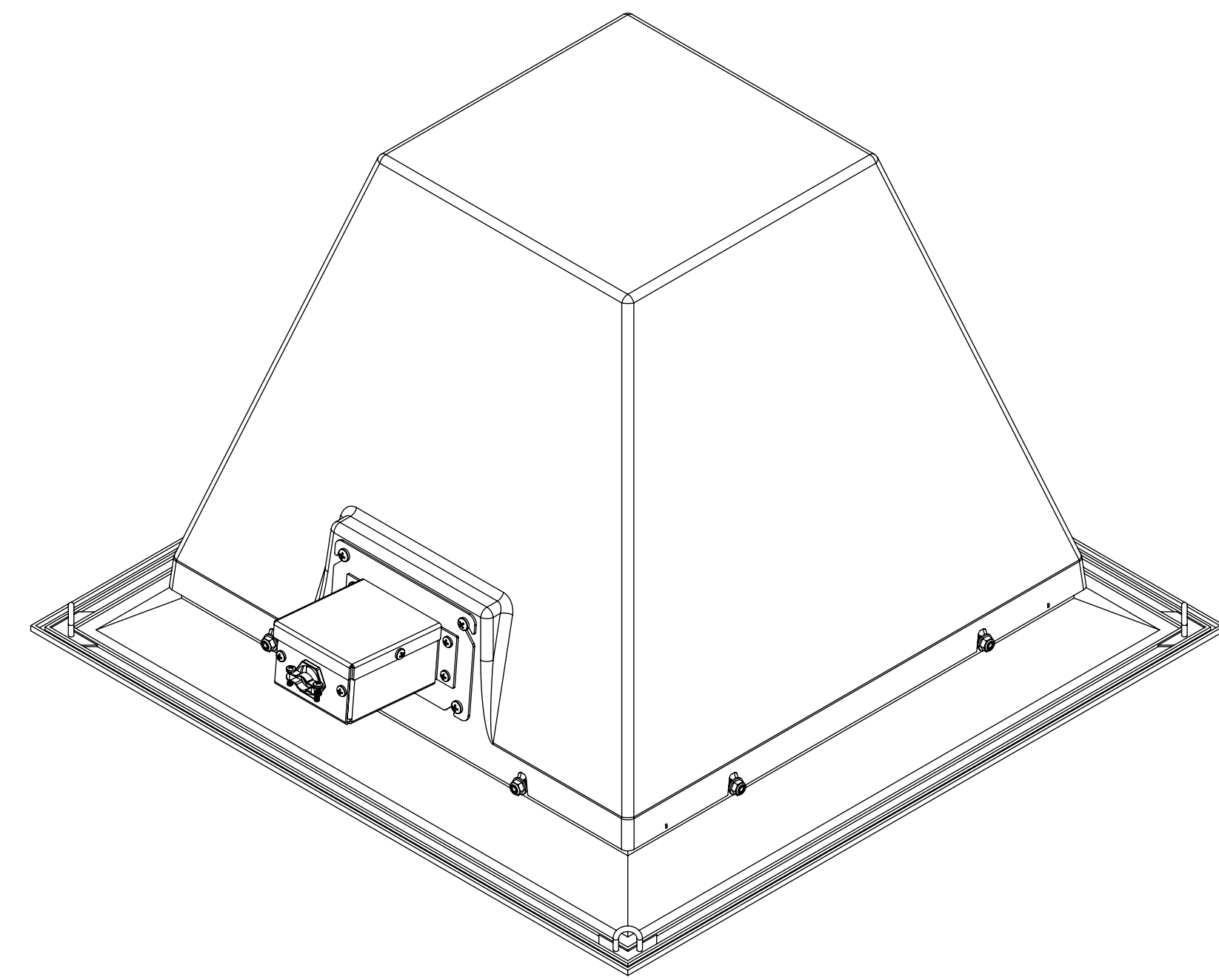
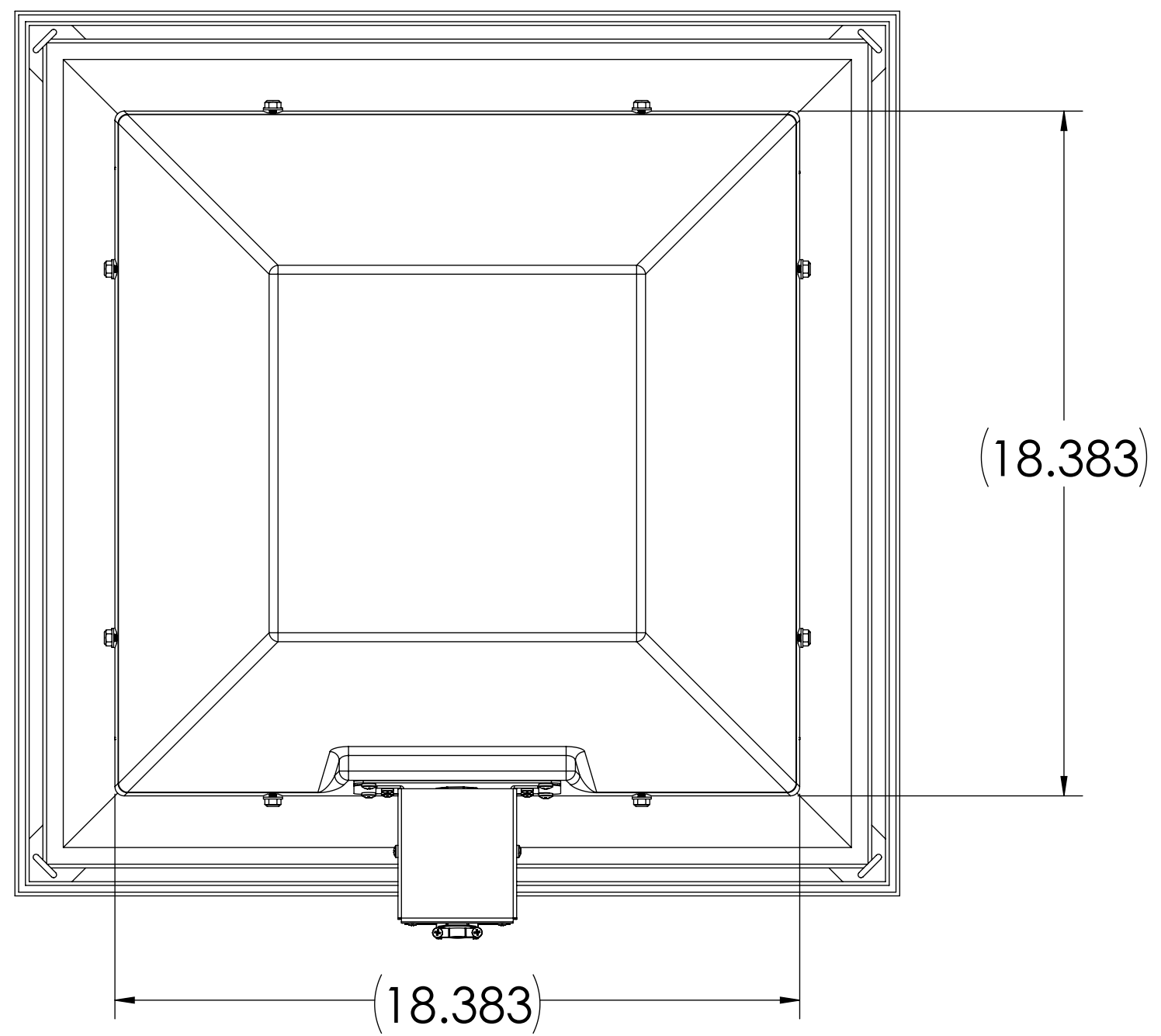


8 7 6 5 4 3 2 1

F  
E  
D  
C  
B  
A

F  
E  
D  
C  
B  
A



**PROPRIETARY AND CONFIDENTIAL**  
THE INFORMATION CONTAINED IN THIS DRAWING IS THE SOLE PROPERTY OF ZOO FANS, INC. ANY REPRODUCTION IN PART OR AS A WHOLE WITHOUT THE WRITTEN PERMISSION OF ZOO FANS, INC. IS PROHIBITED.

UNLESS OTHERWISE SPECIFIED:		NAME	DATE
DIMENSIONS ARE IN INCHES			
TOLERANCES:			
FRACTIONAL	±		
ANGULAR	MACH ±		
BEND	±		
TWO PLACE DECIMAL	±		
THREE PLACE DECIMAL	±		
INTERPRET GEOMETRIC TOLERANCING PER:		G.A.	
MATERIAL		COMMENTS:	
XXXXXX			
FINISH			
XXXXXX			
NEXT ASSY	USED ON		
APPLICATION			

**ZOO FANS**  
Efficiency and Performance  
1650 38th St. STE 201W  
Boulder, CO 80501  
303.557.1852

TITLE: **IC20**

SIZE DWG. NO. **D** REV

SCALE: 1:4 WEIGHT: SHEET 1 OF 1

8 7 6 5 4 3 2 1