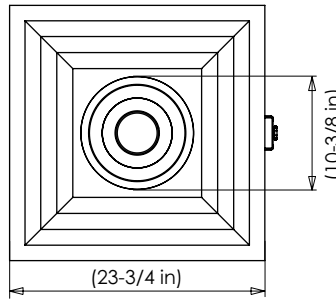
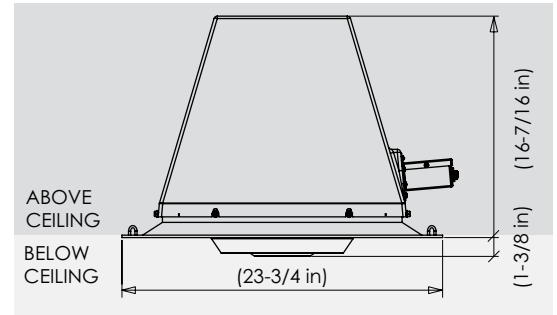




Installed View



Bottom View



Side View

**Typical Specifications**

A variable speed, low profile, in-ceiling fan system with a quiet, energy-efficient EC motor. The combination return and supply diffuser must fit in a standard 24" X 24" drop-ceiling grid and the supply must be a jet ball that is adjustable up to 30° off vertical. The fan must produce airflow of 710 CFM at full-speed with a variable-speed controllable, Electronically Commutated motor with a mixed-flow impeller. Must have fire resistant enclosure and cannot have exposed blades like a traditional ceiling fan. Must be variable speed controllable from a 0-10VDC control signal or a potentiometer. Must include four (4) 100-pound safe working load cable attachment system with external fast-release XP2 Gripples®.

**Installation Hardware Included**

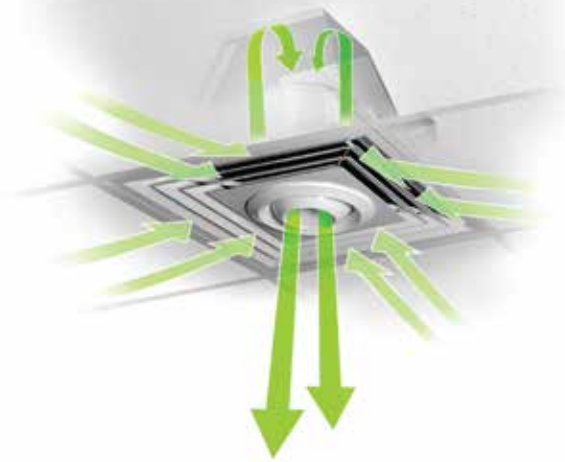
- > Four (4) 15' support cables with 1/4" eyelet ends, and XP2 external fast-release Gripples®. Each cable offers 100 lb. safe working load with a 5:1 safety factor, UL Listed.
- > Terminal box
- > Two (2) strain-relief fittings

**Warranty**

- > 2-Year Parts

**Airflow Diagram**

The fan draws air from all four sides, just below the ceiling. Air is then circulated through a dedicated plenum above the ceiling, and down to the floor through an adjustable jet ball.



**Selection Table**

Model	Volts	Amps	Quantity
IC20-EC	115	1.2	

**Color**

Model	Color	Quantity
IC20-EC	White <input type="checkbox"/>	

**Controllers\***

Model	Description	Quantity
<b>Manual Control Options:</b>		
VS-10KPOT	10K Potentiometer	
AVS-EC-MAN	Manual LED User Interface	
<b>Automatic Control Options:</b>		
AVS-EC-AUTO	Automatic: User Interface, 2 Temperature Sensors	
<b>BAS Control Configuration:</b>		
IC20-EC.BAS	0-10VDC Analog Control	



\*Manual and Automatic Control options are not included in base price.

## Technical Specifications

### Motor

<b>Type</b>	Electronically Commutated (EC) motor with Mixed-Flow Impeller
<b>Drive</b>	Direct Drive
<b>Bearings</b>	Sealed, Lifetime Lubricated
<b>Protection</b>	Thermal Overload Protection

### Electrical

<b>Volts</b>	115
<b>Hz</b>	60
<b>Watts</b>	75
<b>Amps</b>	1.2

### Performance

<b>CFM</b>	710
<b>RPM</b>	3800

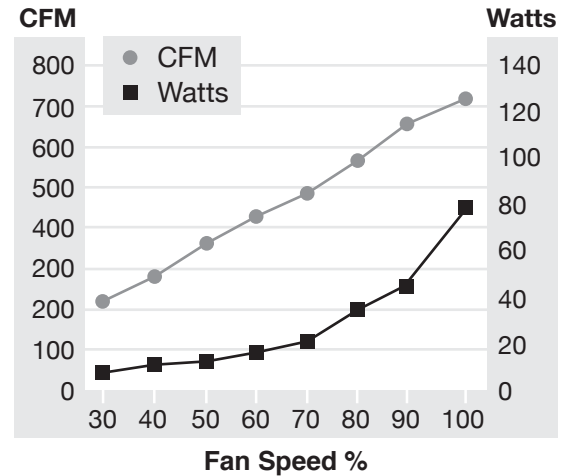
### Motor Housing

<b>Type</b>	Low Profile, In-Line
<b>Construction</b>	Aluminum

### Sound Characteristics

At this time there are no HVI test standards available for measuring sound levels of remote mounted fans. Sound levels are determined by the following: type of duct, length of duct, fan distance from the intake source and other miscellaneous factors. It is generally accepted that remote mounted fans are quieter than in-room mounted fans.

### Fan Speed vs CFM and Power



### Diffuser

<b>Type</b>	Combination Return and Supply
<b>Construction</b>	4-Way, Louvered Return Jet Ball Supply
<b>Direction</b>	Return is Fixed, Jet Ball Supply is Adjustable Up to 30° Off-Vertical in Any Direction

## Project

## Comments

<b>Job Name:</b>		<b>Date:</b>	
<b>Job Address:</b>			
<b>City:</b>	<b>State:</b>	<b>ZIP:</b>	
<b>Architect:</b>			
<b>Engineer:</b>			
<b>Contractor:</b>			