

HVAC SYSTEMS RUN LESS

COMFORT GOES UP

OPERATING COSTS GO DOWN

REDUCED CARBON FOOTPRINT

FAST PAYBACK

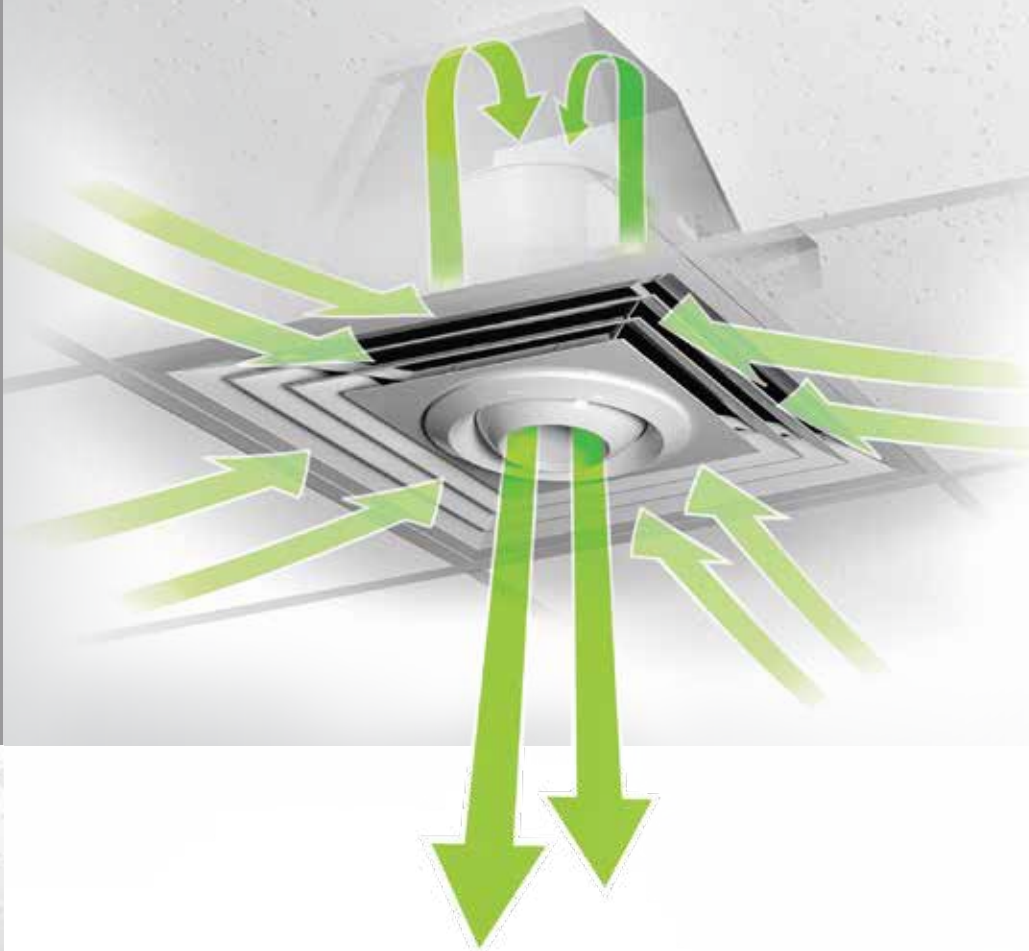


Fig 1. ZOO Fans' Proprietary Combination Diffuser



Fig 2. 8" Jet Ball Diffuser

ZOO Fans® energy-efficient, in-ceiling fans improve air circulation in spaces with drop ceilings, and in spaces with hard ceilings that have accessible space above. The IC20 is effective both as a destratification fan, and as an in-ceiling fan for cooling.

Operates independently of existing HVAC systems. Air speed and direction are easily adjusted to fine-tune comfort.

With **no ducting** to connect, the **IC20** is fully **self-contained** and fits right into a 2' x 2' grid. A dedicated plenum ensures there will be no interference with above-ceiling return plenums.

Fig 1. This diffuser combines a 4-way louvered intake with a jet ball return. The air speed from the jet ball is sufficient to eliminate short-cycling.

Fig 2. The Jet Ball diffuser promotes destratification by pulling conditioned air—heated or cooled—from the ceiling, and directing it to the floor in a column of air.

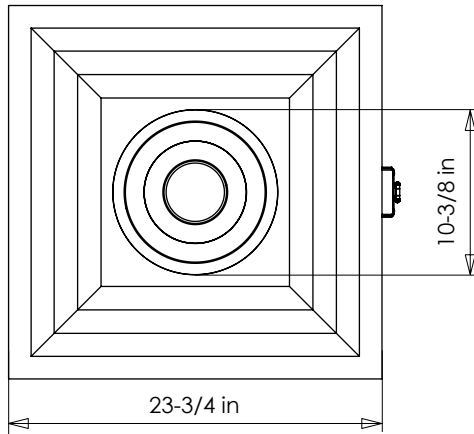


IC20 EC

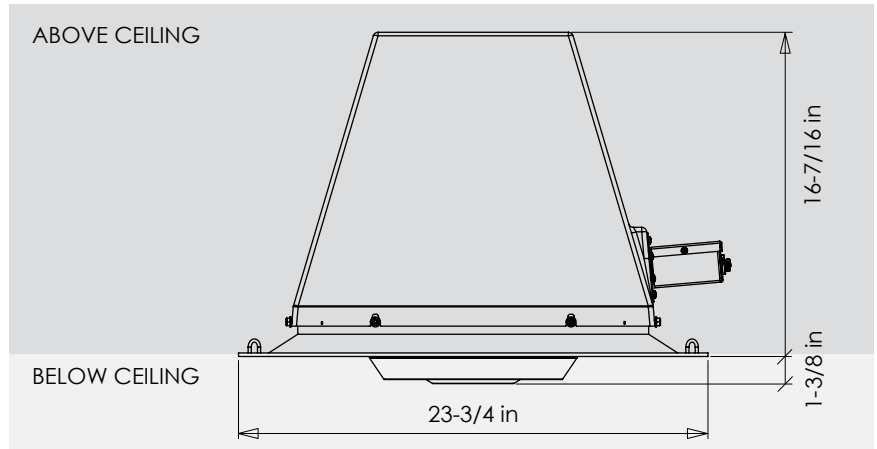
IC-SERIES | DROP CEILING

DESTRATIFICATION FANS FOR CEILINGS UP TO 20' HIGH

Dimensions



Bottom View

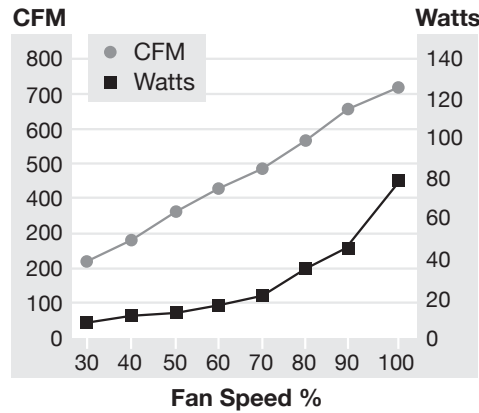


Side View

Specifications

Model	IC20 EC
Volts	115
Hz	60
Watts	75
Amps	1.2
CFM	710

Fan Speed vs CFM and Power Usage



Diffuser

Type	Combination Return and Supply
Construction	4-Way, Louvered Return Jet Ball Supply Standard
Direction	Supply is Fixed, Return Jet Ball Adjustable Up to 30° Off-Vertical in Any Direction
Color	Off-White

Motor

- > Electronically Commutated (EC) motor with Mixed-Flow Impeller
- > Direct-drive motor with thermal overload protection
- > Sealed, lifetime lubricated bearings

Coverage

- Each fan covers from 800-1800 sq. ft., depending on the following variables:
- > Ceiling height and square footage
 - > Targeted number of air-turns per hour

Installation Hardware Included

- > Externally-mounted, removable junction box for faster wiring
- > Four (4) high-strength 15' cables with Gripples® and attachment hardware; each cable offers 100 lb. safe working load with a 5:1 safety factor, UL Listed

FAQs

- > How many fans for this job?
- > How far apart should the fans be installed?
- > How much will this cost?

Call us for your free custom fan layout.



Call or Click Today!

855-ZOO-FANS (855-966-3267) zoofans.com