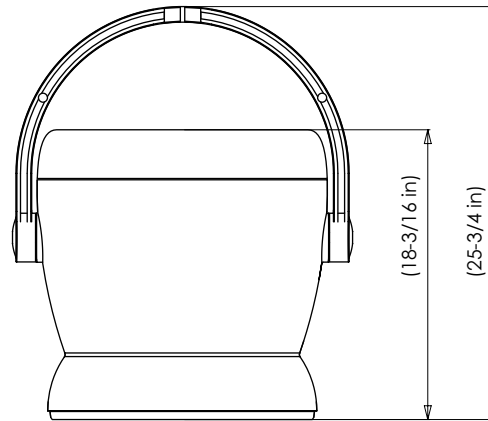


H60 EC Premium Efficiency

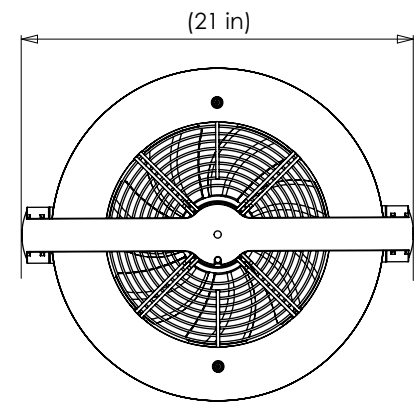
H-SERIES | FOR OPEN CEILINGS UP TO 60' HIGH



Installed View



Side View



Top View

Typical Specifications

Destratification fan with airflow of 1600 CFM at full speed that operates with a variable speed controllable, electronically commutated (EC) motor. Must have fire resistant enclosure and multifunctional air guide with aerodynamic vanes to tighten the air column and increase throw. Cannot have exposed blades like a traditional ceiling fan. Blades will have a serrated trailing edge and winglet and shall be constructed of high-performance composite, uncoated material. Must have integrated motor controller with a wide range of control input options, including 0-10VDC, potentiometer and PWM. Must include a 200-pound safe working load main cable attachment system and a separate stabilization / safety tether.

Installation Hardware Included

- > 8' cable with fast-locking Gripple® and attachment hardware. Cable rated at 200 lb. safe working load with a 5:1 safety factor, UL Listed.
- > 12' stabilization tether with fast-locking Gripple and attachment hardware. Cable rated at 100 lb. safe working load with a 5:1 safety factor, UL Listed.

Warranty



- > 2-Year Parts



Selection Table

Model	Volts	Amps	Quantity
H60-EC____	115	2.0	

Colors

Model	Color	Quantity
H60-EC___.W.___	Off-White 	
H60-EC___.B.___	Black 	

Option

Model	Description	Quantity
H60-EC____.C	6' Cord, 3-Prong Plug	

Additional Option*

Model	Description	Quantity
H60-EC____.G	Exhaust Safety Grill	

Controllers

Model	Description	Quantity
Manual Control Options:		
VS-10KPOT	10K Potentiometer	
AVS-EC-MAN	Manual LED User Interface	
Automatic Control Options:		
AVS-EC-AUTO	Auto/Manual LED User Interface, 2 Temp Sensors	
BAS Control Configuration:		
Default	0 – 10VDC Analog Control	

*Manual and Automatic Control options are not included in base price.

H60 EC Premium Efficiency

H-SERIES | FOR OPEN CEILINGS UP TO 60' HIGH

Technical Specifications

Motor

Type	Electrically Commutated (EC)
Drive	Direct Drive
Bearings	Sealed, Lifetime Lubricated
Protection	Thermal Overload Protection

Electrical

Volts	115
Hz	60
Watts	120
Amps	2.0

Performance

CFM	1600
RPM	2100

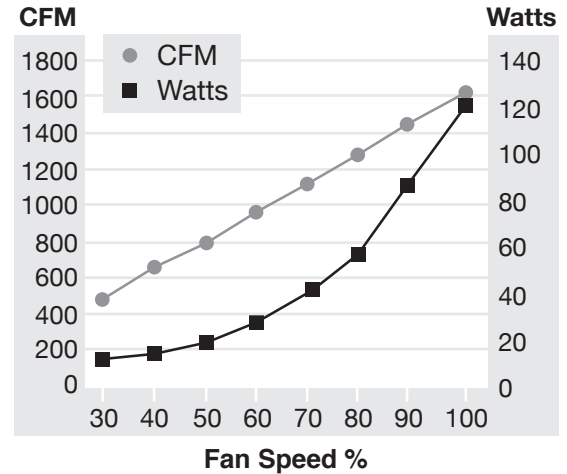
Housing

Type	UV Treated, Flame Resistant Plastic
Construction	Durable Double-Wall
Design	Multifunctional Air Guide with Aerodynamic Vanes
Protection	Intake Safety Grill

Certifications

ETL Listed in USA and Canada. Conforms to UL Standard 507 and Certified to CAN/CSA Standard CSA C22.2
 Sound measurements in accordance with ISO 13347

Fan Speed vs CFM and Power



Sound Level Calculations

Hanging Height	dBa*
40 feet	38.4
50 feet	40.3
60 feet	36.8

*based on non-reflective area

Weight

	LBS	KG
Hanging	23	10
Shipping	30	14

Project

Comments

Job Name:	<input type="text"/>	Date:	<input type="text"/>
Job Address:	<input type="text"/>		
City:	<input type="text"/>	State:	<input type="text"/>
ZIP:	<input type="text"/>		
Architect:	<input type="text"/>		
Engineer:	<input type="text"/>		
Contractor:	<input type="text"/>		