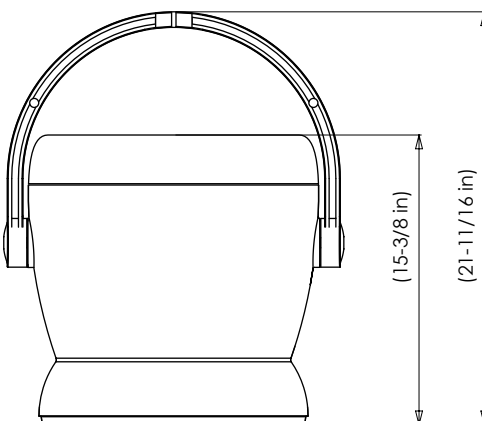


# H25 EC High Efficiency

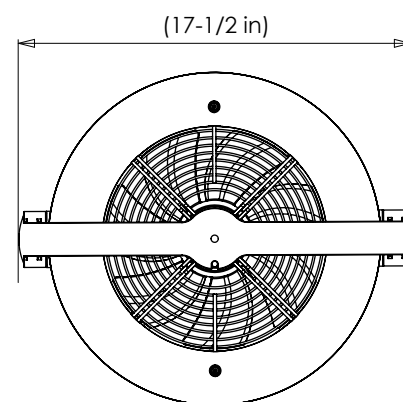
H-SERIES | FOR OPEN CEILINGS UP TO 25' HIGH



Installed View



Side View



Top View

### Typical Specifications

Destratification fan with airflow of 655 CFM at full speed that operates with a variable speed controllable, electronically commutated (EC) motor. Must have fire resistant enclosure and multifunctional air guide with aerodynamic vanes to tighten the air column and increase throw. Cannot have exposed blades like a traditional ceiling fan. Must have integrated motor controller with a wide range of control input options, including 0-10VDC, potentiometer and PWM. Must include a 200-pound safe working load main cable attachment system and a separate stabilization / safety tether.

### Installation Hardware Included

- > 8' cable with fast-locking Gripple® and attachment hardware. Cable rated at 200 lb. safe working load with a 5:1 safety factor, UL Listed.
- > 12' stabilization tether with fast-locking Gripple and attachment hardware. Cable rated at 100 lb. safe working load with a 5:1 safety factor, UL Listed.



### Warranty

- > 2-Year Parts

### Selection Table

Model	Volts	Amps	Quantity
H25-EC.____	208-277	0.5	

### Color

Model	Color	Quantity
H25-EC.W	Off-White 	
H25-EC.B	Black 	

### Controllers\*

Model	Description	Quantity
<b>Manual Control Options:</b>		
VS-10KPOT	10K Potentiometer	
AVS-EC-MAN	Manual LED User Interface	
<b>Automatic Control Options:</b>		
AVS-EC-AUTO	Automatic: User Interface, 2 Temperature Sensors	
<b>BAS Control Configuration:</b>		
Default	0 – 10VDC Analog Control	

# H25 EC High Efficiency

H-SERIES | FOR OPEN CEILINGS UP TO 25' HIGH

## Technical Specifications

### Motor

<b>Type</b>	Electrically Commutated (EC)
<b>Drive</b>	Direct Drive
<b>Bearings</b>	Sealed, Lifetime Lubricated
<b>Protection</b>	Thermal Overload Protection

### Electrical

<b>Volts</b>	208-277
<b>Hz</b>	50/60
<b>Watts</b>	57
<b>Amps</b>	0.5

### Performance

<b>CFM</b>	655
<b>RPM</b>	2150

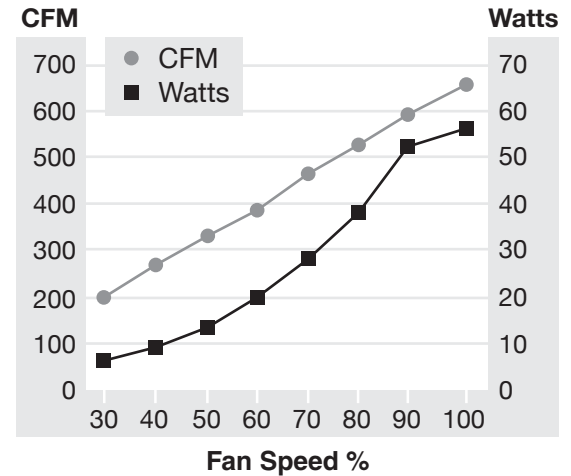
### Housing

<b>Type</b>	UV Treated, Flame Resistant Plastic
<b>Construction</b>	Durable Double-Wall
<b>Design</b>	Multifunctional Air Guide with Aerodynamic Vanes
<b>Protection</b>	Intake Safety Grill

### Certifications

Sound measurements in accordance with ISO 13347

### Fan Speed vs CFM and Power



### Sound Level Calculations

Hanging Height	dBa*
20 feet	55.3
25 feet	53.4
30 feet	51.8

\*based on non-reflective area

### Weight

	LBS	KG
<b>Hanging</b>	20	9.1
<b>Shipping</b>	26	11.8

## Project

## Comments

<b>Job Name:</b>		<b>Date:</b>	
<b>Job Address:</b>			
<b>City:</b>	<b>State:</b>	<b>ZIP:</b>	
<b>Architect:</b>			
<b>Engineer:</b>			
<b>Contractor:</b>			