

HVLS XP 8

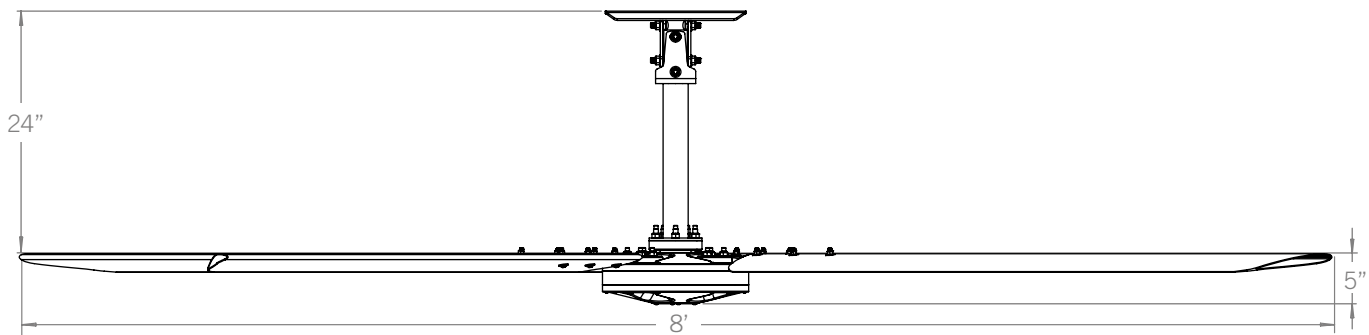
Brought to you by ZOO Fans™

POWER & EFFICIENCY

| | |
|----------------------------|-------------------------|
| INPUT POWER OPTIONS | AC 1PH 100-120V 50/60Hz |
| CURRENT AT MAX SPEED (Amp) | 4.2 A @ 120v |
| POWER (hp) | 5/8 HP |
| MAXIMUM SPEED (RPM) | 156 RPM |
| MAX AFFECTED AREA | 40 ft Dia 1,600 sqft |

DIMENSIONS & WEIGHT

| | |
|--------------|------------------|
| FAN DIAMETER | 8 ft (2.4m) |
| FAN WEIGHT | 104lbs (47.3 kg) |



MOUNTING & SAFETY

| | |
|------------------|--|
| MOUNTING OPTIONS | I-beam Direct Mount |
| DOWNROD | 2' Rigid Mount Downrod |
| SAFETY FEATURES | Fan Retention System Airfoil Retention System Fire relay |

IN THE BOX

| | |
|----------|--|
| INCLUDED | Rigid Mount with pre-wired downrod Control Panel Install Manual Airfoils Wall Control Mounting Hardware Kit Communication Kit |
| OPTIONAL | 3' and 4' Rigid Mount downrod Additional Control Cable Lengths Glulam brackets |

WARRANTY & CERTIFICATIONS

| | |
|-----------------------|---|
| CERTIFICATIONS | ETL/Intertek-certified to ANSI/UL 507 and CSA C22.2 No. 113 in North America |
| WARRANTY ¹ | Limited Lifetime on Airfoils 2-year Warranty (parts only) |

¹See complete warranty for details.



ZOO Fans | 1650 38th St., Suite 201W | Boulder, CO 80301
303-557-1852 | engineering@zoofans.com | zoofans.com

HVLS Fans by

