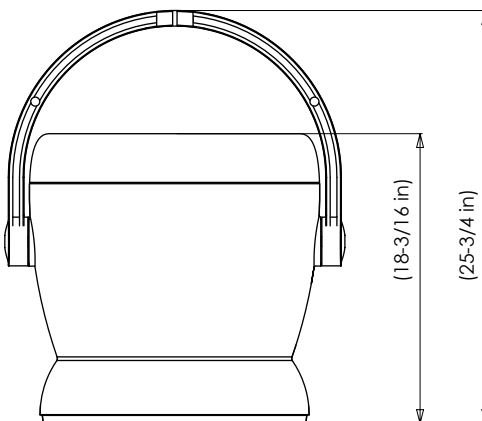


H50 AC High Efficiency

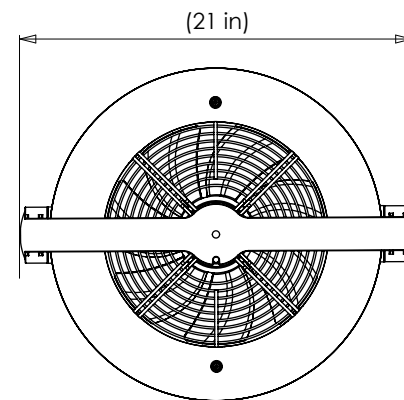
H-SERIES | FOR OPEN CEILINGS UP TO 50' HIGH



Installed View



Side View



Top View

Typical Specifications

De-stratification fan with airflow of 1150 CFM at full speed that operates with a variable speed controllable, externally wound motor. Must have fire resistant enclosure and multifunctional air guide with aerodynamic vanes to tighten the air column and increase throw. Cannot have exposed blades like a traditional ceiling fan. Blades shall be constructed of high-performance composite, uncoated material. Must be variable speed controllable from an analog controller via a 0-10 VDC or 4-20 mA control signal, or a direct in-line speed controller. Must include a 200-pound safe working load main cable attachment system and a separate stabilization / safety tether.

Installation Hardware Included

- > 8' cable with fast-locking Gripple® and attachment hardware. Cable rated at 200 lb. safe working load with a 5:1 safety factor, UL Listed.
- > 12' stabilization tether with fast-locking Gripple and attachment hardware. Cable rated at 100 lb. safe working load with a 5:1 safety factor, UL Listed.



Warranty

- > 2-Year Parts

Selection Table

Model	Volts	Amps	Quantity
H50-AC-___	115	0.68	

Color

Model	Color	Quantity
H50-AC.W	Off-White 	
H50-AC.B	Black 	

Speed Controllers*

Part #	Description	Quantity
VS-5A-115V	Variable Speed 5 Amp 115V Controller	
VS-10A-115V	Variable Speed 10 Amp 115V Controller	
AVS-7.5A-___	Advanced Variable Speed 7.5 Amp Controller Auto-Detect 95V-250V	
Control Methods:		
AVS-7.5A-BAS	BAS, 0-10VDC or 4-20mA Analog Control Signal	
AVS-7.5A-MAN	Manual, 10K Potentiometer	
AVST-___-___	Advanced Variable Speed Transformer	
Voltage:		
AVST-115V-10A-___	115V 10 Amp	
Control Methods:		
AVST-___-BAS	BAS, 0-10VDC Analog Control Signal	
AVST-___-MAN	Manual, User Interface	
AVST-___-AUTO	Automatic, User Interface, 2 Temperature Sensors	
AVS-MZTS-___	Advanced Variable Speed Multi-Zone Touch Screen	
- 4	4 - Zones	See AVS-MZTS submittal for voltage
- 8	8 - Zones	and zone configuration options.

H50 AC High Efficiency

H-SERIES | FOR OPEN CEILINGS UP TO 50' HIGH

Technical Specifications

Motor

Type	Permanent Split Capacitor (PSC)
Drive	Direct Drive
Bearings	Sealed, Lifetime Lubricated
Protection	Thermal Overload Protection

Electrical

Volts	115
Hz	50/60
Watts	77
Amps	0.68

Performance

CFM	1150
RPM	1500

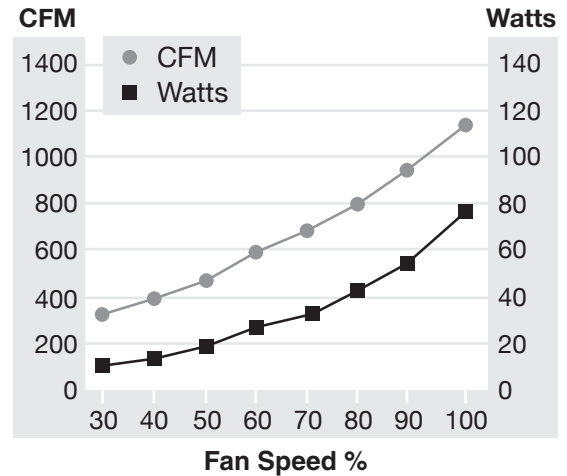
Housing

Type	UV Treated, Flame Resistant Plastic
Construction	Durable Double-Wall
Design	Multifunctional Air Guide with Aerodynamic Vanes
Protection	Intake Safety Grill

Certifications

Sound measurements in accordance with ISO 13347

Fan Speed vs CFM and Power



Sound Level Calculations

Hanging Height	dBA*
35 feet	35.5
45 feet	33.3
55 feet	31.5

*based on non-reflective area

Weight

	LBS	KG
Hanging	23	10
Shipping	30	14

Project

Comments

Job Name:	Date:
Job Address:	
City:	State:
Architect:	ZIP:
Engineer:	
Contractor:	