



# HVLS TITAN 24

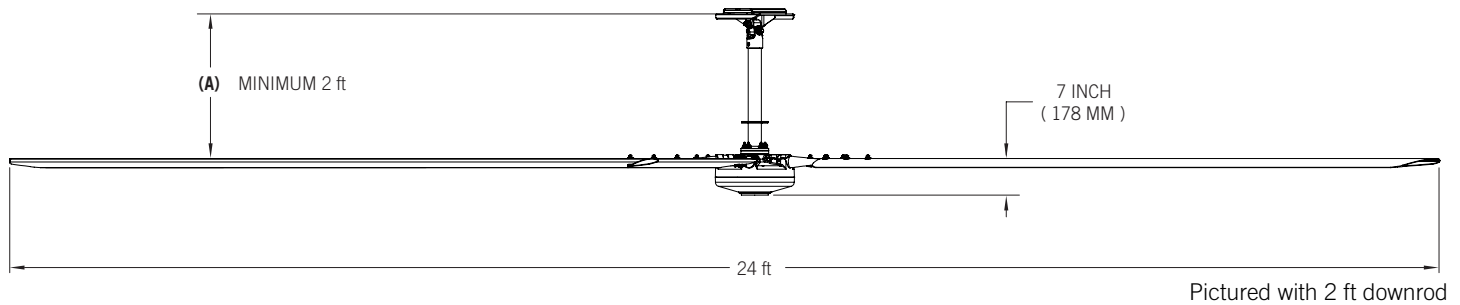
Brought to you by ZOO Fans™

## POWER & EFFICIENCY

|                             |  |  |                       |
|-----------------------------|--|--|-----------------------|
| INPUT POWER OPTIONS         | AC 1PH 200-240V 60Hz   AC 3PH 200-240V 60Hz   AC 3PH 380-480V 60Hz |  |                       |
| MAXIMUM RATED CURRENT (amp) | 8.2-6.8 A  |  | 4.3-3.6 A   3.2-2.7 A |
| POWER (hp)                  | 1 hp   |  |                       |
| MAXIMUM SPEED (RPM)         | 70 RPM   |  |                       |
| EFFICIENCY                  | 325,000 CFM/HP   |  |                       |

## DIMENSIONS & WEIGHT

|              |               |
|--------------|---------------|
| FAN DIAMETER | 24 ft         |
| FAN WEIGHT   | 204lb (93 kg) |



## MOUNTING & SAFETY

|   |  |
|---|--|
| MOUNTING OPTIONS                            | I-beam   Glulam  |
| DOWNROD (A) <b>Standard downrod is 4 ft</b> | Downrods available in 1 ft increments: 2 ft min., 10 ft max.<br>Downrod length must be specified at time of order. |
| SAFETY FEATURES                             | Fan Retention System   Airfoil Retention System   Fire relay   |

## IN THE BOX

|          |  |
|----------|--|
| INCLUDED | Fan I-beam mount with pre-wired downrod   Control panel   Install manual<br>Mounting hardware kit   Communication Kit   Guy wire kit |
| OPTIONAL | Additional cable lengths   Touchscreen (5 in)   Glulam brackets  |

## WARRANTY & CERTIFICATIONS

|                       |  |
|-----------------------|--|
| CERTIFICATIONS        | ETL/Intertek-certified to ANSI/UL 507 and CSA C22.2 No. 113 in North America |
| WARRANTY <sup>1</sup> | 15-year, Non-Prorated Warranty   |

<sup>1</sup>See complete warranty for details.