



HVLS TITAN 14

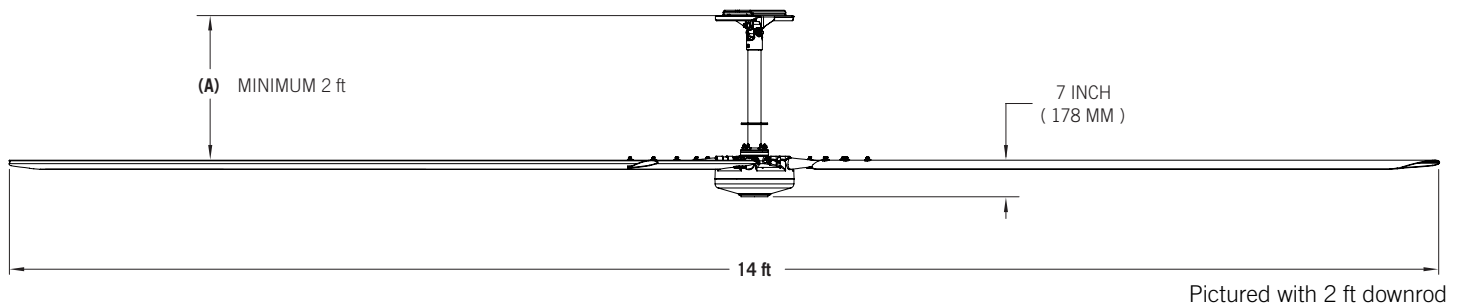
Brought to you by ZOO Fans™

POWER & EFFICIENCY

INPUT POWER OPTIONS	AC 1PH 200-240V 60Hz AC 3PH 200-240V 60Hz AC 3PH 380-480V 60Hz		
MAXIMUM RATED CURRENT (amp)	5.4-4.5 A		2.8-2.4 A 2.2-1.9 A
POWER (hp)	3/4 hp		
MAXIMUM SPEED (RPM)	105 RPM		
EFFICIENCY	135,000 CFM/HP		

DIMENSIONS & WEIGHT

FAN DIAMETER	14 ft
FAN WEIGHT	168 lb (76 kg)



MOUNTING & SAFETY

MOUNTING OPTIONS	I-beam Glulam
DOWNROD (A) Standard downrod is 3 ft	Downrods available in 1 ft increments: 2 ft min., 10 ft max. Downrod length must be specified at time of order.
SAFETY FEATURES	Fan Retention System Airfoil Retention System Fire relay

IN THE BOX

INCLUDED	Fan I-beam mount with pre-wired downrod Control panel Install manual Mounting hardware kit Communication Kit Guy wire kit
OPTIONAL	Additional cable lengths Touchscreen (5 in) Glulam brackets

WARRANTY & CERTIFICATIONS

CERTIFICATIONS	ETL/Intertek-certified to ANSI/UL 507 and CSA C22.2 No. 113 in North America
WARRANTY ¹	15-year, Non-Prorated Warranty

¹See complete warranty for details.