

HVAC SYSTEMS RUN LESS

COMFORT GOES UP

OPERATING COSTS GO DOWN

REDUCED CARBON FOOTPRINT

FAST PAYBACK



Fig 1. Standard 8" Jet Ball Diffuser

ZOO Fans™ energy-efficient, in-ceiling fans improve air circulation in spaces with drop ceilings, and in spaces with hard ceilings that have sufficient space above for installation. The IC15 and IC30 models are effective as transfer fans, and as destratification fans. To customize installation, ducting can be extended for longer horizontal runs.

Operates independently of existing HVAC systems.

Variable speed controls allow users to dial-in comfort — one-to-one, in zones, manually or automatically. IC-Series Fans quietly balance temperatures and improve comfort by eliminating hot and cold spots. Savings on AC and Heating deliver fast payback.

Low profile design blends seamlessly with existing decor.

Interchangeable diffusers allow for custom applications and can be modified to match existing diffusers.

Fig 1. JetBall (standard): This diffuser can be adjusted up to 30° off vertical in any direction to aim the airflow. Variable speed control allows fine-tuning of the airspeed.

Fig 2. 4-Way (optional): This diffuser dampens airspeed, and allows increased overall volume at lower ceiling heights (8'-10'), without creating a draft.

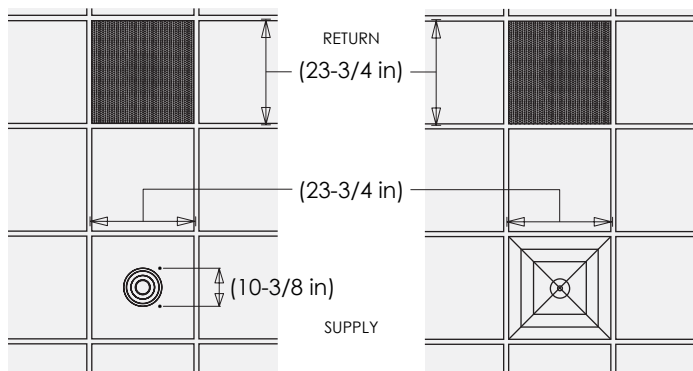


IC30 AC

IC-SERIES | DROP CEILING

DESTRATIFICATION FANS FOR CEILINGS UP TO 30' HIGH

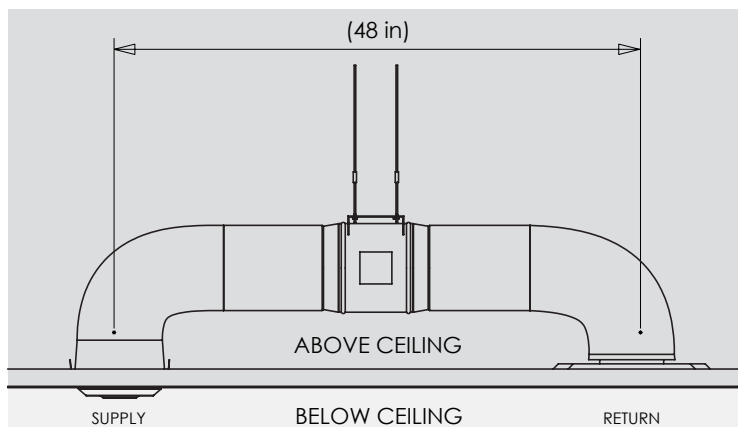
Dimensions



Jet Ball Standard

4-Way Option

Bottom View

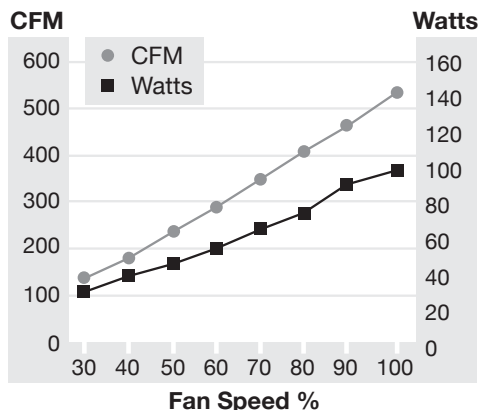


Side View

Specifications

Model	IC30 AC
Volts	115
Hz	60
Watts	100
Amps	1.0
CFM	530

Fan Speed vs CFM and Power Usage



Ducting

Type	Insulated Flexible Duct
Construction	Spring-Steel Wire Helix, Encapsulated in a 2-Ply, Airtight Inner Core with Factory Installed Universal Male/Female Collars
Insulation	R4.2 Insulation Standard R6 and R8 Available Upon Request

Motor

- > Energy-efficient, Permanent Split Capacitor (PSC) with mixed-flow impeller
- > Direct-drive motor with thermal overload protection
- > Sealed, lifetime lubricated bearings

Motor Housing

- > Durable reinforced plastic
- > Low profile, in-line

Installation Hardware Included

- > Jet ball support bracket to support diffuser and maintain level ceiling
- > Two (2) high-strength 10' cables with two (2) 6" arms, Gripples® and attachment hardware

Coverage

- Each fan covers from 1000-1600 sq. ft., depending on the following variables:
- > Ceiling height and square footage
 - > Targeted number of air-turns per hour

Options

- > 4-Way diffuser
- > Colors: White or Black Jet Ball
White 4-Way Diffuser
- > Controllers (additional charge)

FAQs

- > How many fans for this job?
- > How far apart should the fans be installed?
- > How much will this cost?

Call us for your free custom fan layout.