

HVAC SYSTEMS RUN LESS

COMFORT GOES UP

OPERATING COSTS GO DOWN

REDUCED CARBON FOOTPRINT

FAST PAYBACK



Fig 1. Standard 8" Jet Ball Diffuser

**ZOO Fans™** energy-efficient, in-ceiling fans improve air circulation in spaces with drop ceilings, and in spaces with hard ceilings that have accessible space above. The IC15 and IC30 models are effective both as transfer fans, and as destratification fans. In addition, ducting can be extended for considerably longer horizontal runs.

### Operates independently of existing HVAC systems.

The silent version of this world-leading inline fan has an insulated, perforated inner skin, and sound-absorbent membrane in the fan housing. The **IC15 Silent** pairs this silent motor with acoustic, insulated, flexible ducting. When controlled with the ZOO Fans **AVST Transformer Controller**, this fan is so quiet it adheres to the rigorous standards set for HVAC sound levels in THX® certified cinemas.

### Low profile design blends seamlessly with existing decor.

*Fig 1. JetBall (standard): This diffuser can be adjusted up to 30° off vertical in any direction to aim the airflow. Variable speed control allows fine-tuning of the airspeed.*

*Fig 2. 4-Way (optional): This diffuser dampens airspeed, and allows increased overall volume at lower ceiling heights (8'-10'), without creating a draft.*

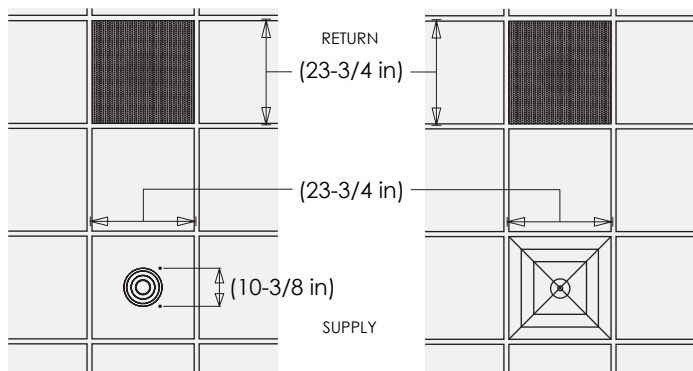


# IC15 Silent AC

IC-SERIES | DROP CEILING

## DESTRATIFICATION FANS FOR CEILINGS UP TO 15' HIGH

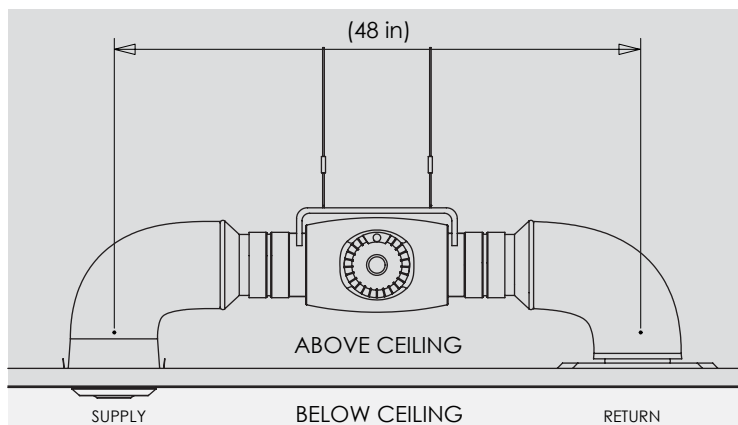
### Dimensions



Jet Ball Standard

4-Way Option

Bottom View

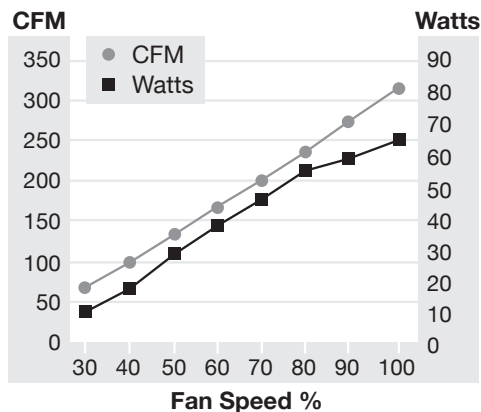


Side View

### Specifications

Model	IC15 Silent AC
Volts	115
Hz	60
Watts	65
Amps	0.54
CFM	315

### Fan Speed vs CFM and Power Usage



### Ducting

Type	Acoustic Insulated Flexible Duct
Construction	Transparent, Spun-Bonded, Non-Woven Inner Core with Factory Installed Universal Male/Female Collars
Insulation	R4.2 Insulation Standard R6 and R8 Available Upon Request

### Motor

- > Ultra-quiet, energy-efficient, Permanent Split Capacitor (PSC) with mixed-flow impeller
- > Direct-drive motor with thermal overload protection
- > Sealed, lifetime lubricated bearings

### Motor Housing

- > Durable reinforced plastic
- > Low profile, in-line
- > Insulated perforated inner skin, sound-absorbent membrane

### Installation Hardware Included

- > Jet ball support bracket to support diffuser and maintain level ceiling
- > Two (2) high-strength 10' cables with two (2) 6" arms, Gripples® and attachment hardware

### Coverage

Each fan covers from 800-1200 sq. ft., depending on the following variables:

- > Ceiling height and square footage
- > Targeted number of air-turns per hour

### Options

- > 4-Way diffuser
- > Colors: White or Black Jet Ball  
White 4-Way Diffuser
- > Controllers (additional charge)

### FAQs

- > How many fans for this job?
- > How far apart should the fans be installed?
- > How much will this cost?

**Call us for your free custom fan layout.**