

H120 EC Premium Efficiency

H-SERIES | FOR OPEN CEILINGS UP TO 120' HIGH

HVAC SYSTEMS RUN LESS

COMFORT GOES UP

OPERATING COSTS GO DOWN

REDUCED CARBON FOOTPRINT

FAST PAYBACK

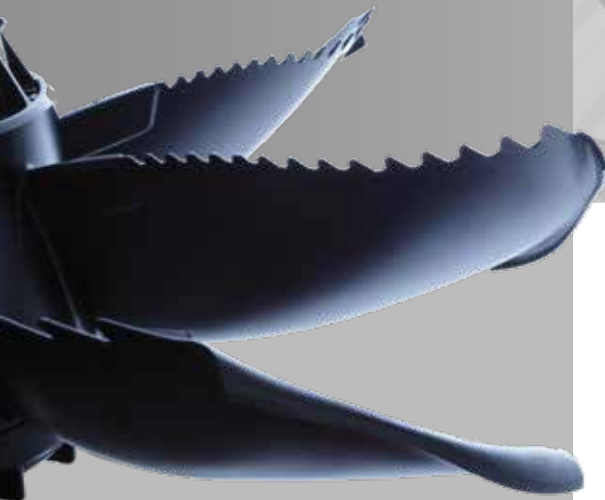


Fig 1. Innovative Blade Design

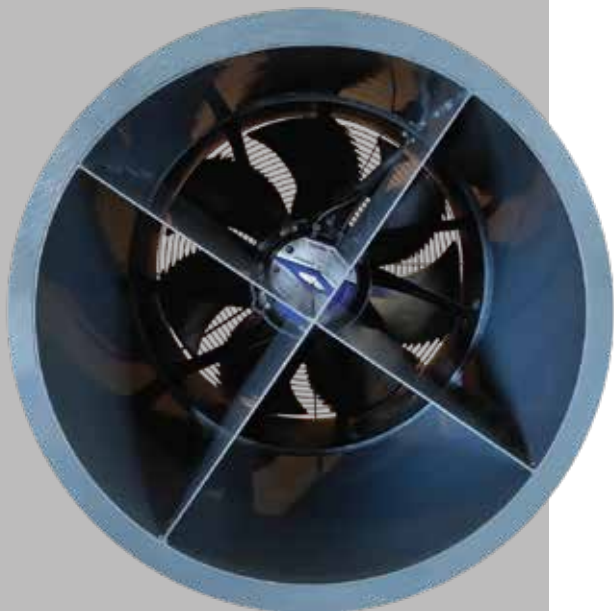


Fig 2. Multifunctional Air Guide with Aerodynamic Vanes



ZOO Fans™ energy-efficient fans create a concise column of air that gently mixes the air from ceiling-to-floor and wall-to-wall. ZOO fans destratify the air, eliminate hot and cold spots, and increase overall air circulation—**noticeably improve comfort, and save energy!**

H-Series Fans deliver proven efficiency and performance that is unmatched by other fans

- > ZOO fans are **the only destratification fans** that are **independently tested** in an industry-certified laboratory for **guaranteed performance**
- > **Variable speed controllable** to dial-in comfort, individually, or in zones
- > **Easy to control**—manually, automatically, or by a building automation system (BAS)
- > **Contributes to LEED**

*Fig 1. Serrations on the trailing edge and winglets on the end of each blade, top-and-bottom, significantly reduce turbulence. The result is a **quieter, more efficient, and more productive fan.***

*Fig 2. The aerodynamically engineered stator guides reduce centrifugal and angular flow, **straighten the air column, increase air speed, and significantly increase throw.***



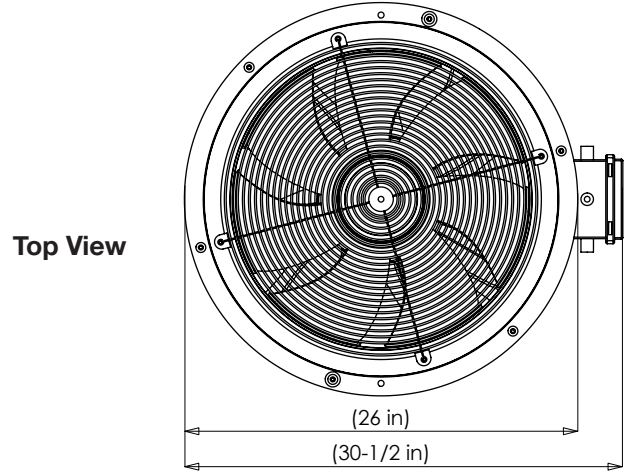
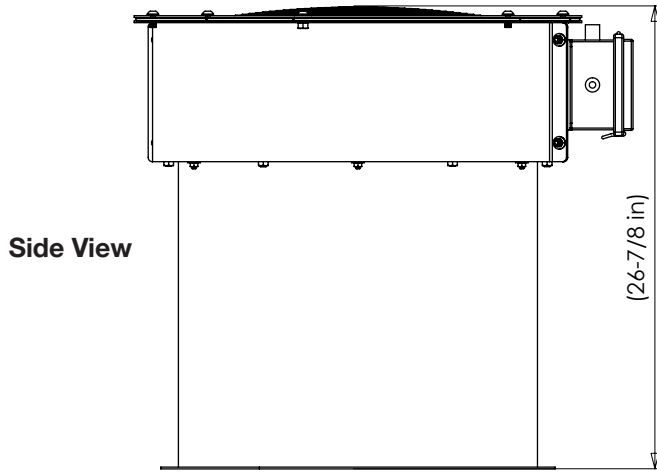
PRODUCT SPECIFICATIONS

H120 EC Premium Efficiency

H-SERIES | OPEN CEILING

DESTRATIFICATION FANS FOR CEILINGS UP TO 120' HIGH

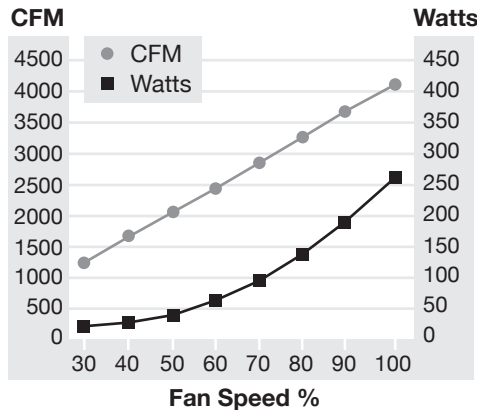
Dimensions



Specifications

Model	H120 Premium Efficiency
Volts	208-277
Hz	50/60
Watts	260
Amps	1.6
CFM	4100
Wt. (lbs.)	88

Fan Speed vs CFM and Power Usage



Sound Level Calculations

Hanging Height	dBa*
80 feet	34.3
100 feet	32.3
120 feet	30.8

*based on non-reflective area

Motor

- > Composite fan blades with patented design deliver unmatched efficiency
- > Ultra-reliable Ziehl-Abegg® motor with active protection for thermal overload, locked/blocked rotor, and over/under voltage
- > Sealed, lifetime lubricated bearings

Housing

- > Cold rolled, 12-gauge steel
- > Multifunctional air guide with aerodynamic vanes
- > Straightening fins promote laminar flow and increase throw
- > Intake Safety Grill is standard

Installation Hardware Included

- > Two (2) high-strength 12' cables with locking hook, Gripples® and attachment hardware. Each cable offers 200 lb. safe working load with a 5:1 safety factor, UL Listed.

Coverage

Each fan covers from 2000-4000 sq. ft., depending on the following variables:

- > Ceiling height and square footage
- > Targeted number of air-turns per hour

Options

- > Colors: Gray, or call for custom colors
- > Controllers (additional charge)

FAQs

- > How many fans for this job?
- > How far apart should the fans be installed?
- > How much will this cost?

Call for your free fan layout and quote.



Call or Click Today!

855-ZOO-FANS (855-966-3267) zoofans.com

ZOO FANS IS A TRADEMARK OF ZOO FANS INC. • ©2017 ZOO FANS INC. ALL RIGHTS RESERVED • 112117