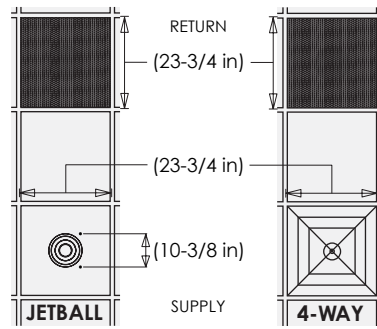
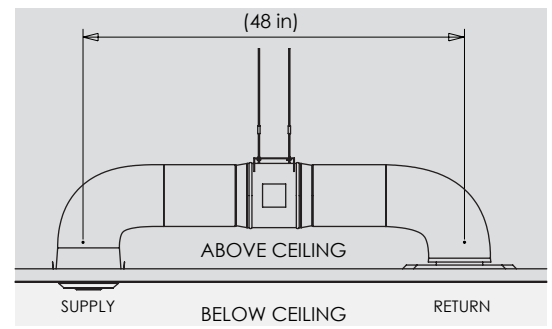




Installed View



Bottom View



Side View

Typical Specifications

A variable speed, in-ceiling fan system with a quiet, energy-efficient, low-profile fan motor. Rugged mixed-flow impeller delivers airflow of 530 CFM at full speed. Must be a closed-loop design that does not compromise return plenum. Jet ball diffuser is standard, and can be adjusted up to 30° off-vertical in any direction to control the airflow. A 4-way diffuser is optional. Supply is also adaptable to linear bar, 2-way, or 3-way diffusers. Must be variable speed controllable from an analog controller via a 0-10 VDC or 4-20 mA control signal, or a direct in-line speed controller.

Installation Hardware Included

- > Jet ball support bracket to support diffuser and maintain level ceiling.
- > Two (2) high-strength 10' cables with two (2) 6" arms, Gripples® and attachment hardware. Each cable offers 24 lb. safe working load with a 5:1 safety factor, UL Listed.

Warranty

- > 4-Year Parts

Selection Table

| Model | Volts | Amps | Quantity |
|----------------------|-------|------|----------|
| IC30-AC115.____.____ | 115 | 1.0 | |

Color

| Model | Color | Quantity |
|------------------------|---|----------|
| IC30-AC115.W.____.____ | White <input type="checkbox"/> | |
| IC30-AC115.B.____.____ | Black <input type="checkbox"/> (only available with Standard Package) | |

Return Diffuser

| Model | Description | Quantity |
|------------------------|---|----------|
| IC30-AC115.____.P.____ | Perforated Return Diffuser (Standard Package) | |
| IC30-AC115.____.C.____ | Custom Return Diffuser* | |

Supply Diffuser

| Model | Description | Quantity |
|-------------------|--|----------|
| IC30-AC115.____.J | JetBall Supply Diffuser (Standard Package) | |
| IC30-AC115.____.4 | 4-Way Supply Diffuser (Standard Option) | |
| IC30-AC115.____.C | Custom Supply Diffuser* | |

Additional Option*

| Model | Description | Quantity |
|---------|--|----------|
| IND-S-6 | 6' Acoustic Insulated Duct for Extended Runs | |

Speed Controllers*

| Part # | Description | Quantity |
|---------------|---|----------|
| VS-5A-115V | Variable Speed 5 Amp 115V Controller | |
| VS-10A-115V | Variable Speed 10 Amp 115V Controller | |
| AVS-7.5A-____ | Advanced Variable Speed 7.5 Amp Controller Auto-Detect 95V-250V | |

Control Methods:

| | |
|----------------|--|
| AVS-7.5A-BAS | BAS, 0-10VDC or 4-20mA Analog Control Signal |
| AVS-7.5A-MAN | Manual, 10K Potentiometer |
| AVST-____-____ | Advanced Variable Speed Transformer |

Voltage:

| | | |
|--------------------|------|--------|
| AVST-115V-10A-____ | 115V | 10 Amp |
|--------------------|------|--------|

Control Methods:

| | |
|----------------|--|
| AVST-____-BAS | BAS, 0-10VDC Analog Control Signal |
| AVST-____-MAN | Manual, User Interface |
| AVST-____-AUTO | Automatic, User Interface, 2 Temperature Sensors |
| AVS-MZTS-____ | Advanced Variable Speed Multi-Zone Touch Screen |
| - 4 | 4 - Zones |
| - 8 | 8 - Zones |
| - 12 | 12 - Zones |

See AVS-MZTS submittal for voltage and zone configuration options.

*Custom Diffusers, Additional Option and Speed Controllers are not included in base price.



Technical Specifications

Motor

| | |
|-------------------|--|
| Type | Permanent Split Capacitor (PSC) with Mixed-Flow Impeller |
| Drive | Direct Drive |
| Bearings | Sealed, Lifetime Lubricated |
| Protection | Thermal Overload Protection |

Electrical

| | |
|--------------|-----|
| Volts | 115 |
| Hz | 60 |
| Watts | 100 |
| Amps | 1.0 |

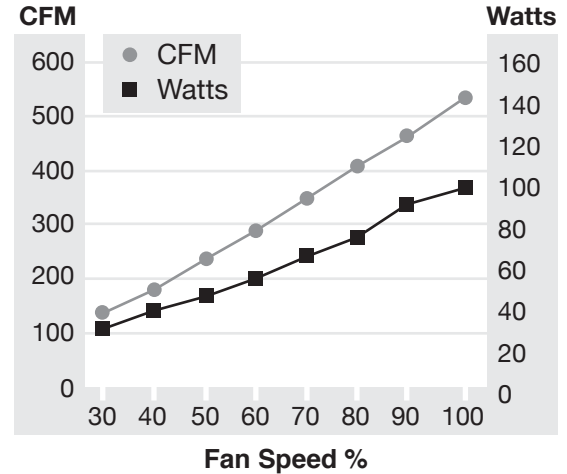
Performance

| | |
|------------|------|
| CFM | 530 |
| RPM | 2781 |

Housing

| | |
|---------------------|----------------------------|
| Type | Low Profile, In-Line |
| Construction | Durable Reinforced Plastic |

Fan Speed vs CFM and Power



Ducting

| | |
|---------------------|---|
| Type | Insulated Flexible Duct |
| Construction | Spring-Steel Wire Helix, Encapsulated in a 2-Ply, Airtight Inner Core. Includes Factory Installed Universal Collars On Each End |
| Insulation | R4.2 Insulation Standard R6 and R8 Available Upon Request |

Sound Characteristics

At this time there are no HVI test standards available for measuring sound levels of remote mounted fans. Sound levels are determined by the following: type of duct, length of duct, fan distance from the intake source and other miscellaneous factors. It is generally accepted that remote mounted fans are quieter than in-room mounted fans.

Project

Comments

| | | | |
|---------------------|---------------|--------------|--|
| Job Name: | | Date: | |
| Job Address: | | | |
| City: | State: | ZIP: | |
| Architect: | | | |
| Engineer: | | | |
| Contractor: | | | |