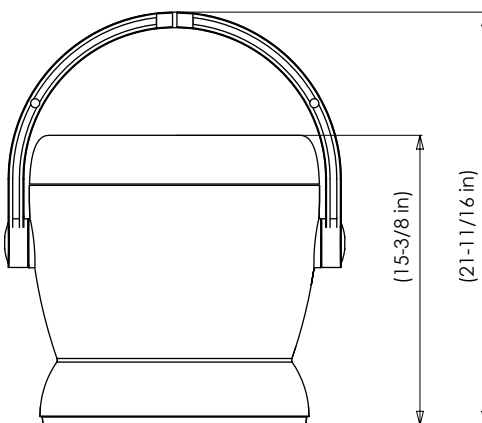


# H25 AC High Efficiency

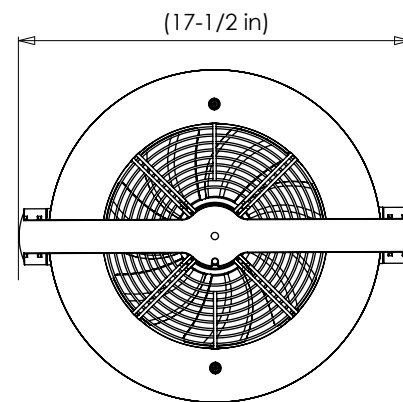
H-SERIES | FOR OPEN CEILINGS UP TO 25' HIGH



Installed View



Side View



Top View

## Typical Specifications

De-stratification fan with airflow of 588 CFM at full speed that operates with a variable speed controllable, externally wound motor. Must have fire resistant enclosure and multifunctional air guide with aerodynamic vanes that produces a tighter air column and significantly increases throw. Cannot have exposed blades like a traditional ceiling fan. Must be variable speed controllable from an analog controller via a 0-10 VDC or 4-20 mA control signal, or a direct in-line speed controller. Must include a 200-pound safe working load main cable attachment system and a separate stabilization / safety tether.

## Installation Hardware Included

- > 8' cable with fast-locking Gripple® and attachment hardware. Cable rated at 200 lb. safe working load with a 5:1 safety factor, UL Listed.
- > 12' stabilization tether with fast-locking Gripple and attachment hardware. Cable rated at 100 lb. safe working load with a 5:1 safety factor, UL Listed.



## Warranty

- > 2-Year Parts

## Selection Table

Model	Volts	Amps	Quantity
H25-AC115.____	115	0.48	

## Color

Model	Color	Quantity
H25-AC115.W.____	Off-White 	
H25-AC115.B.____	Black 	

## Option

Model	Description	Quantity
H25-AC115.____.C	6' Cord, 3-Prong Plug	

## Speed Controllers\*

Part #	Description	Quantity
VS-5A-115V	Variable Speed 5 Amp 115V Controller	
VS-10A-115V	Variable Speed 10 Amp 115V Controller	
AVS-7.5A-____	Advanced Variable Speed 7.5 Amp Controller Auto-Detect 95V-250V	

### Control Methods:

AVS-7.5A-BAS	BAS, 0-10VDC or 4-20mA Analog Control Signal
AVS-7.5A-MAN	Manual, 10K Potentiometer
AVST-____-____	Advanced Variable Speed Transformer

### Voltage:

AVST-115V-10A-____	115V	10 Amp
--------------------	------	--------

### Control Methods:

AVST-____-BAS	BAS, 0-10VDC Analog Control Signal
AVST-____-MAN	Manual, User Interface
AVST-____-AUTO	Automatic, User Interface, 2 Temperature Sensors
AVS-MZTS-____	Advanced Variable Speed Multi-Zone Touch Screen
- 4	4 - Zones
- 8	8 - Zones
- 12	12 - Zones

See AVS-MZTS submittal for voltage and zone configuration options.

# H25 AC High Efficiency

H-SERIES | FOR OPEN CEILINGS UP TO 25' HIGH

## Technical Specifications

### Motor

<b>Type</b>	Permanent Split Capacitor (PSC)
<b>Drive</b>	Direct Drive
<b>Bearings</b>	Sealed, Lifetime Lubricated
<b>Protection</b>	Thermal Overload Protection

### Electrical

<b>Volts</b>	115
<b>Hz</b>	60
<b>Watts</b>	55
<b>Amps</b>	0.48

### Performance

<b>CFM</b>	588
<b>RPM</b>	1641

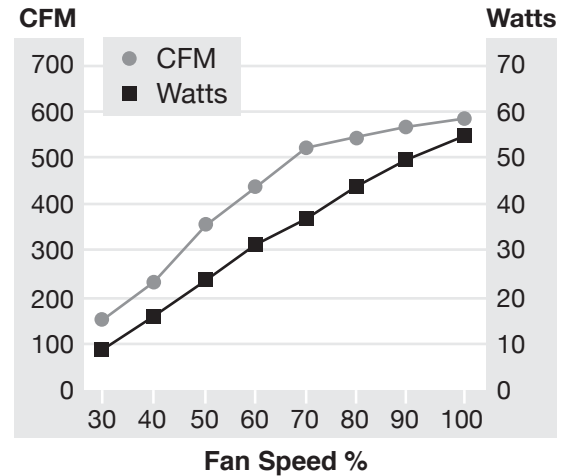
### Housing

<b>Type</b>	UV Treated, Flame Resistant Plastic
<b>Construction</b>	Durable Double-Wall
<b>Design</b>	Multifunctional Air Guide with Aerodynamic Vanes
<b>Protection</b>	Intake Safety Grill

### Certifications

ETL Listed in USA and Canada. Conforms to UL Standard 507 and Certified to CAN/CSA Standard CSA C22.2  
 Sound measurements in accordance with ISO 13347

### Fan Speed vs CFM and Power



### Sound Level Calculations

Hanging Height	dBa*
15 feet	40.8
20 feet	38.3
25 feet	36.4

\*based on non-reflective area

### Weight

	LBS	KG
<b>Hanging</b>	15	7
<b>Shipping</b>	22	10

## Project

## Comments

<b>Job Name:</b>	<b>Date:</b>
<b>Job Address:</b>	
<b>City:</b>	<b>State:</b> <b>ZIP:</b>
<b>Architect:</b>	
<b>Engineer:</b>	
<b>Contractor:</b>	